

Starter Disable Wiring Diagram

To Steering Column

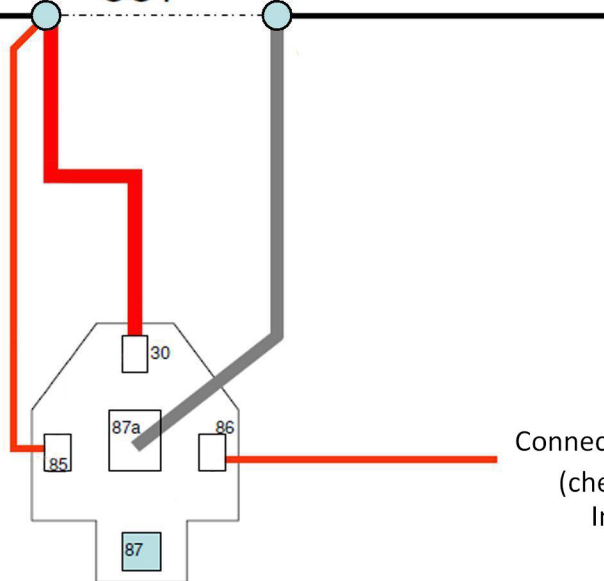
CUT

To Starter

(Must only have power when key is turned to start)

NOTICE

With newer vehicles, the installer has to locate the ignition trigger wire from the vehicle's computer and connect that to the wire from pin 85.



Connect to Device Output Wire
(check Basic Installation
Instructions for color)